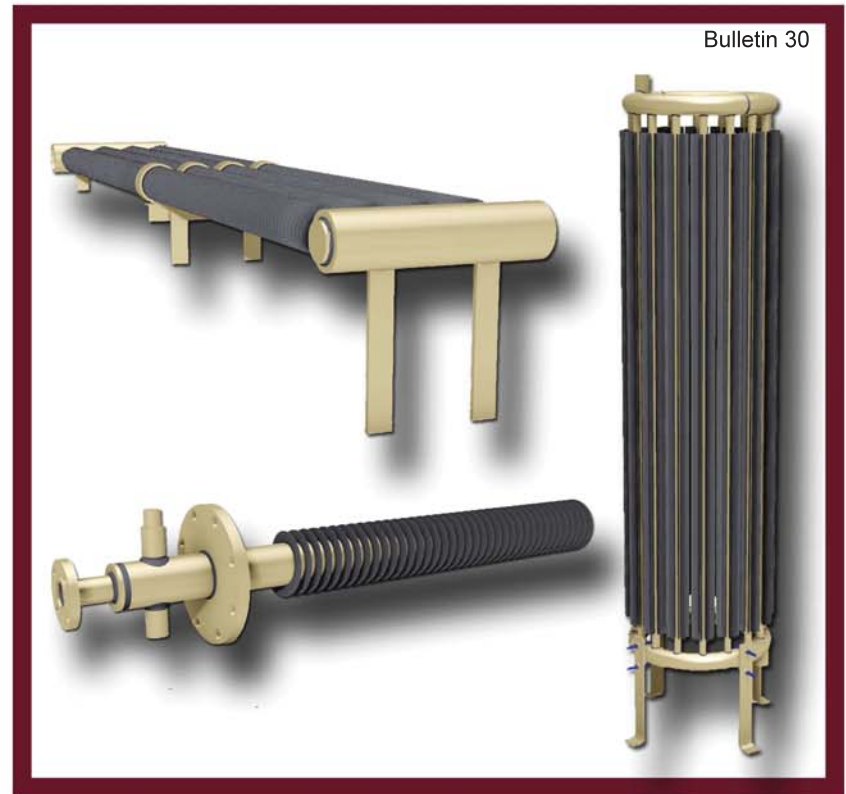


Tank Heating Coils

Serving the petroleum, petrochemical, chemical and power industries.

Serving the petroleum, petrochemical, chemical and power industries.



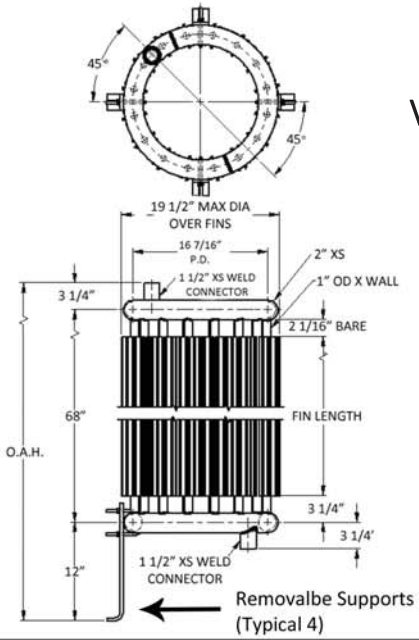
Email: sales@rwholland.com Web Site: www.rwholland.com
 P.O. Box 472336 Tulsa, Oklahoma 74147-2336 918-664-7822
 5004 South 101st East Avenue Tulsa, Oklahoma 74146-4919 Fax: 918-665-1605

Email: sales@rwholland.com Web Site: www.rwholland.com
 P.O. Box 472336 Tulsa, Oklahoma 74147-2336 918-664-7822
 5004 South 101st East Avenue Tulsa, Oklahoma 74146-4919 Fax: 918-665-1605

TANK HEATING COILS FOR ALL APPLICATIONS

VERTICAL COILS

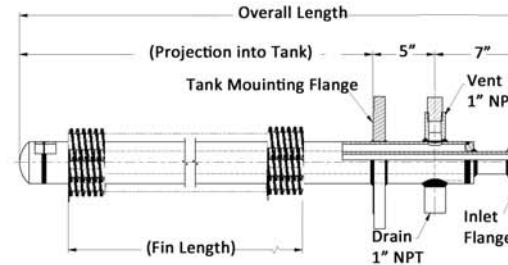
- Vertical design gives the best thermosyphon flow in tank and most efficient heat transfer
- Off-floor design allows for easier cleaning of tank



Type	CV 16-62
Tubes No. - Size	16 - 1" O.D. x 12Ga.
Fins - Long. Type	1" High x .035" Thk. X 20/tube
Fin Length - In.	62"
Heating Surface	300 ft ²
Overall Ht.	6' - 11 3/4"
WT.	420 lbs.

BAYONET COILS (HORIZONTAL)

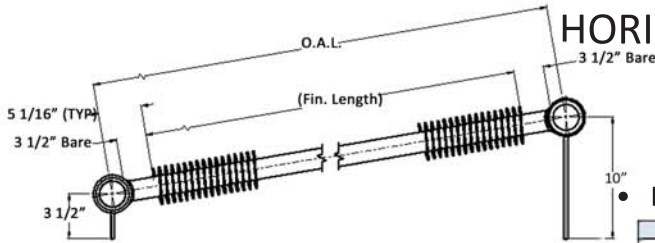
- Direct connection to tank mounting flange
- All connections outside tank
- Helical fintube oriented in direction of thermosyphon



Type	BH3-120	BH3-240	BH4-120	BH4-240
Tube	3" IPS SCH. 40		4" IPS SCH. 40	
Fins - Helical Type	1" High x .050" Thk. X 5/in			
Fin Lgth. - In.	120"	240"	120"	240"
Heating Surface	129 ft ²	258 ft ²	157 ft ²	314 ft ²
Overall Lgth. (O.A.L)	11'-10 1/16"	20'-10 1/16"	11'-11 1/16"	21'-11 1/16"
Projection Inside Tank	10'-10"	20'-10"	10'-11"	20'-11"
Tank Mt. Flg. Size - Rating	6" -150#	6" -150#	8" -150#	8" -150#
Inlet Flg. Size - Rating	1 1/2" -150#	1 1/2" -150#	2" -150#	2" -150#
WT.	285 lbs	530 lbs	350 lbs	600 lbs

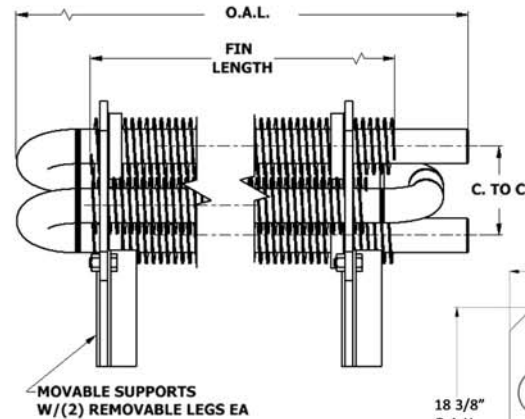
HORIZONTAL COILS FOR TANKS WITH LOW LIQUID LEVELS

- Series Flow for Hot Oil/ Heat transfer Fluid Heating
- Fits thru a 23" I.D. Manway

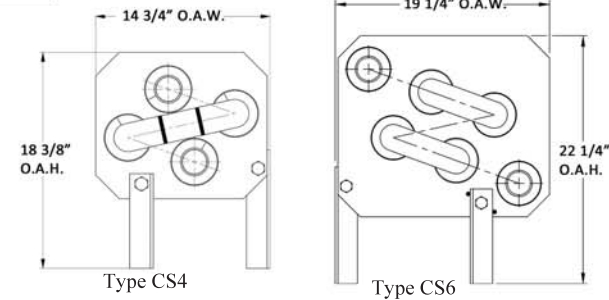


- Parallel Flow for Steam Heating

Type	CL4-120	CL4-240	CL5-120	CL5-240
Tube	4-2" IPS SCH. 40		5-2" IPS SCH. 40	
Fins - Helical Type	3/4" High x .050" Thk. X 5/in			
Fin Lgth. - In.	120"	240"	120"	240"
Heating Surface	275 ft ²	550 ft ²	344 ft ²	688 ft ²
Overall Lgth. (O.A.L)	11'-1 9/16"	21'-1 9/16"	11'-1 9/16"	21'-1 9/16"
WT.	595 LBS	995 LBS	740 LBS	1240 LBS



Type	CS4-120	CS4-240	CS6-120	CS6-240
Tube	4-2" IPS SCH. 40		5-2" IPS SCH. 40	
Fins - Helical Type	3/4" High x .050" Thk. X 5/in			
Fin Lgth. - In.	120"	240"	120"	240"
Heating Surface	275 ft ²	550 ft ²	344 ft ²	688 ft ²
Overall Lgth. (O.A.L)	11'-1 9/16"	21'-1 9/16"	11'-1 9/16"	21'-1 9/16"
WT.	595 LBS	995 LBS	740 LBS	1240 LBS
C to C	6 1/8"		10 1/4"	



NOTE: ABOVE COILS ARE STANDARDS
Heavier tube walls are available on all coils. Lengths of coils can be varied to suit requirements. Helical finned coils are available with varied fin combinations. Fin thickness is available from .035" thru 0.134" thick and its density ranges from 2 f.p.i to 6 f.p.i. depending on thickness.